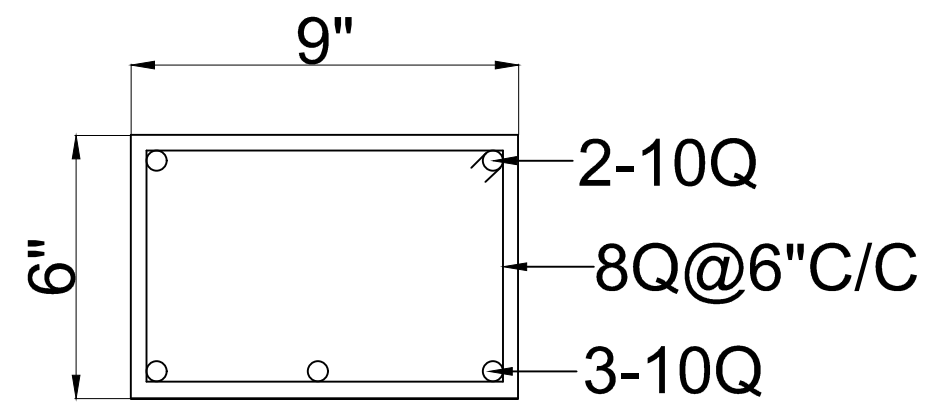
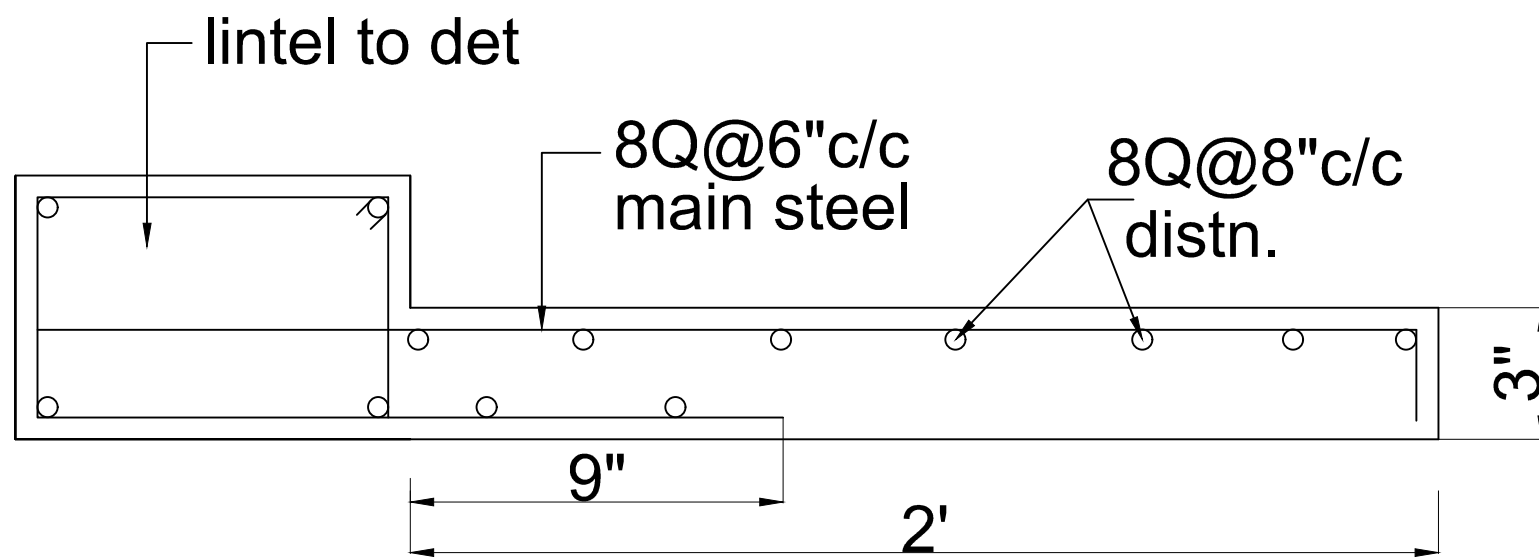


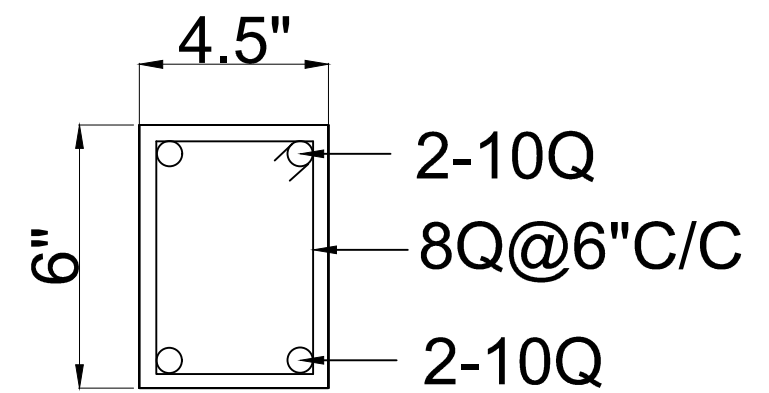
**DET-L1**(for 6'0" to 9' wide opening)



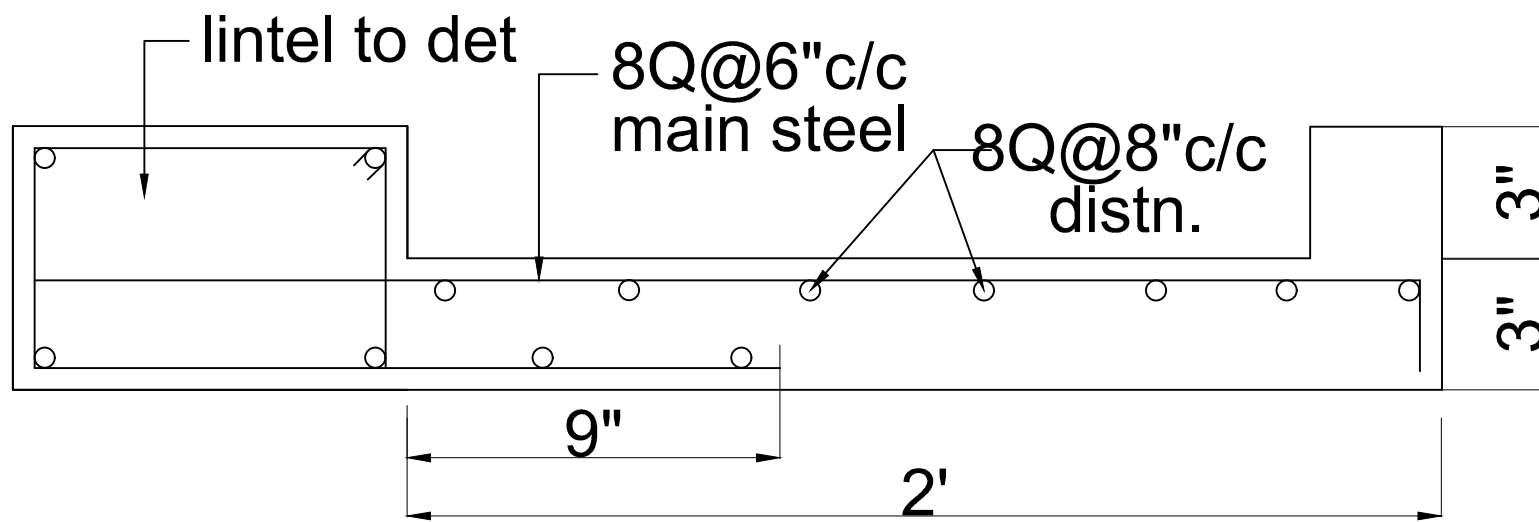
**DET-L2**(upto 6" wide opening)



**TYP LOFT DET**



**DET-L3**  
(4.5" thk wall)



**TYP CHEJJA DET**

**NOTES**

1. ALL DIMENSIONS IN FEET AND INCHES
2. DO NOT SCALE THE DRAWING
3. FOR CENTRE LINES REF ARCH DRG ONLY
4. Q DENOTES TOR STEEL
5. FOUNDATION DESIGNED FOR B+G+3 ONLY
6. CONCRETE MIX M25 FOR COLUMNS AND FOOTINGS
- 6a. STEEL Fe - 500
7. CLEAR COVER: FOOTINGS-2" ,COL 1.5", BEAMS 1", SLABS 3/4"
8. SHUTTERING AND CONCRETING IS THE RESPONSIBILITY OF CONTRACTOR
9. PLACEMENT OF BEAMS AS PER ARCH DRG
10. REF THIS DRG ALONG WITH ARCH DRG
11. FOUNDATION DESIGNED FOR SBC-20T/SQM,(ASSUME)

JOB : PROPOSED BUILDING PLAN OF KARNATAKA  
SOUHARDA PATTINA SAHAKARI NIYAMITA REGIONAL OFFICE  
@ KALABURAGI

TITLE : TYP LINTEL DETAIL

DEALT	CHECKED	DRG NO	DATE	SCALE	REVISED
SV	PSD	KSPSN/SD-11	06-08-21	NTS	

STRUCTURAL CONSULTANTS  
DESHPANDE AND ASSOCIATES  
16, AG'S COLONY  
HEBBAL,  
BANGALORE -560-024  
E-mail: 2016aneesh2@gmail.com