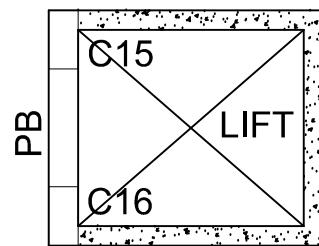
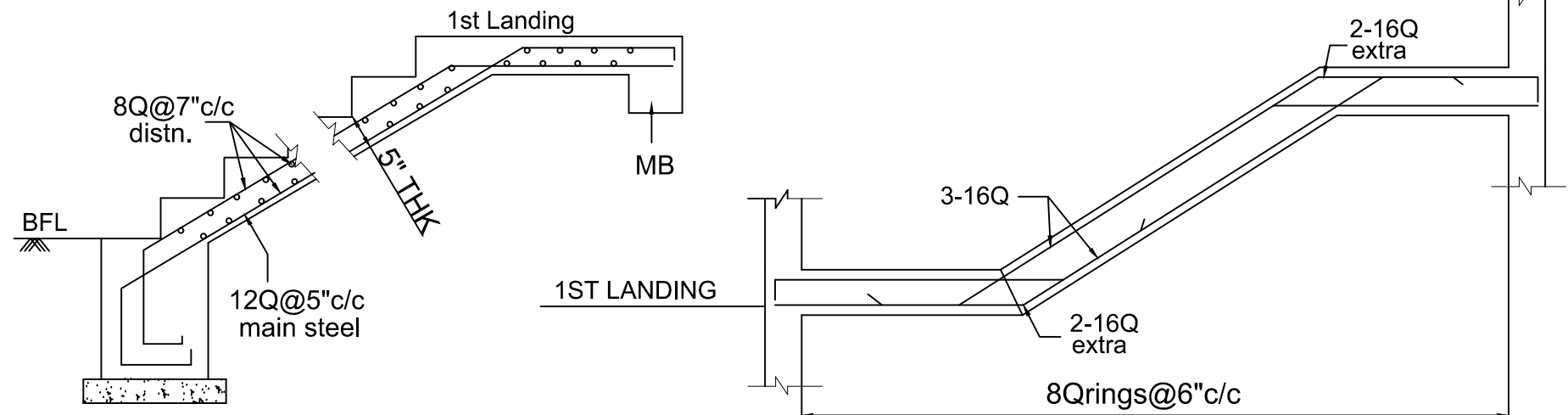


**PLAN OF STAIRCASE**

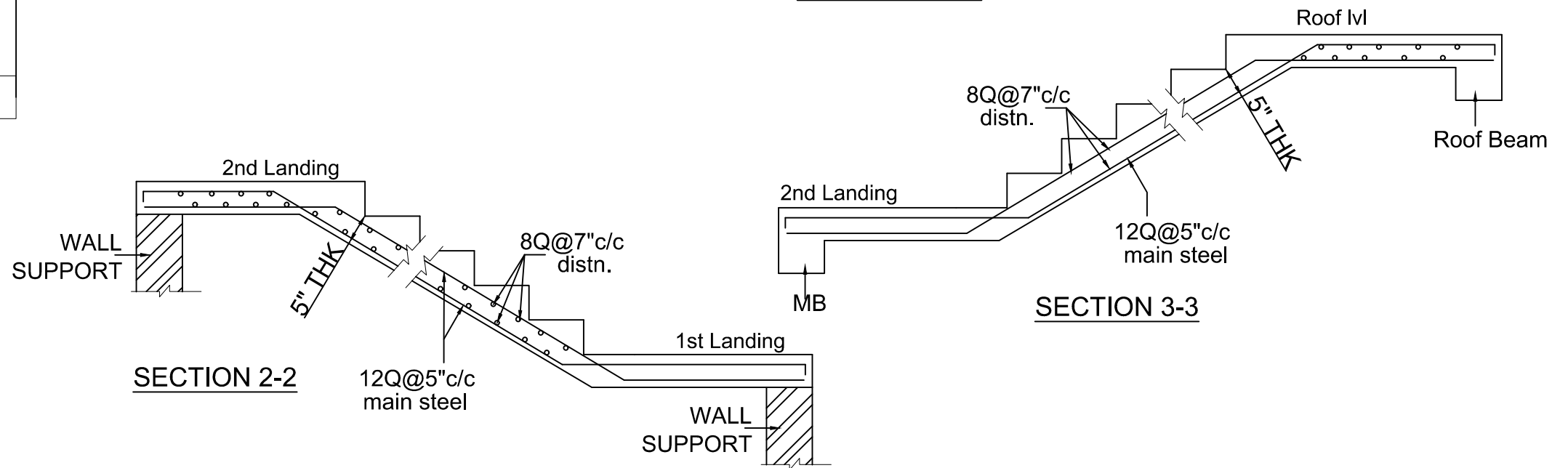


**LIFT PLAN**



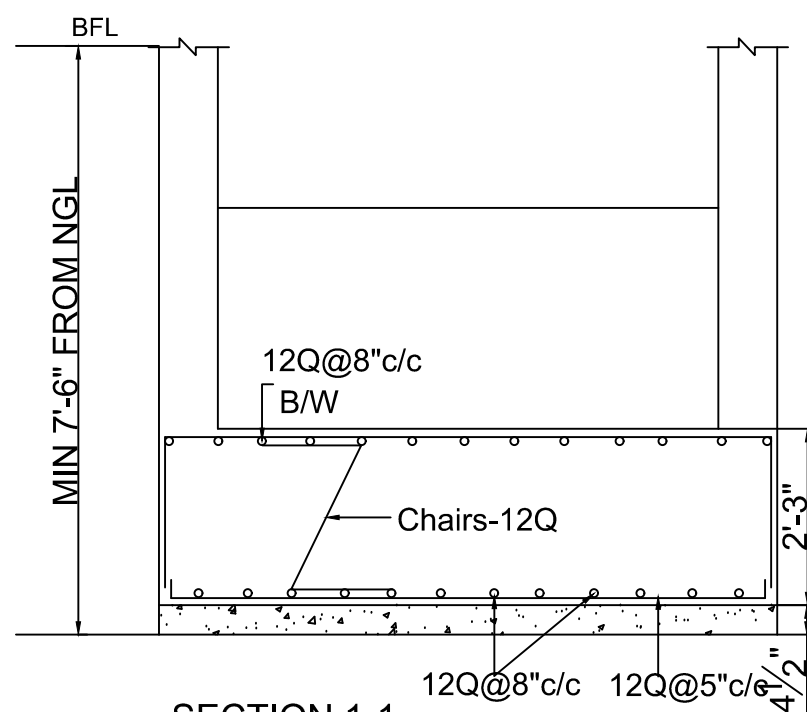
**SECTION 1-1**

**DETAIL OF MB**

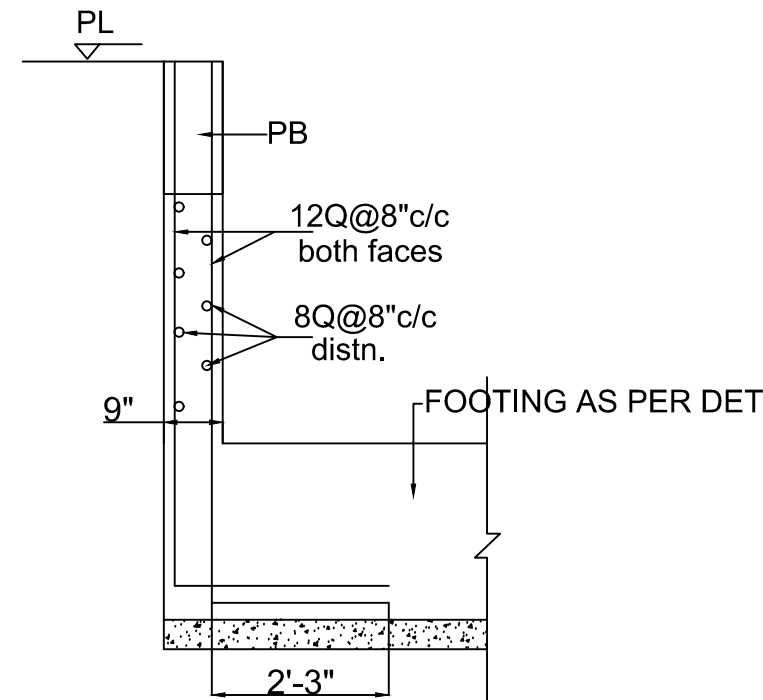


**SECTION 2-2**

**SECTION 3-3**



**SECTION 1-1**



**LIFT WALL DETAIL**

- NOTES**
1. ALL DIMENSIONS IN FEET AND INCHES
  2. DO NOT SCALE THE DRAWING
  3. FOR CENTRE LINES REF ARCH DRG ONLY
  4. Q DENOTES TOR STEEL
  5. FOUNDATION DESIGNED FOR B+G+3 ONLY
  6. CONCRETE MIX M25 FOR COLUMNS AND FOOTINGS
  - 6a. STEEL Fe - 500
  7. CLEAR COVER: FOOTINGS-2", COL 1.5", BEAMS 1", SLABS 3/4"
  8. SHUTTERING AND CONCRETING IS THE RESPONSIBILITY OF CONTRACTOR
  9. PLACEMENT OF BEAMS AS PER ARCH DRG
  10. REF THIS DRG ALONG WITH ARCH DRG
  11. FOUNDATION DESIGNED FOR SBC-20T/SQM.(ASSUME)

JOB : PROPOSED BUILDING PLAN OF KARNATAKA  
 SOUHRADA PATTINA SAHAKARI NIYAMITA REGIONAL OFFICE  
 @ KALABURAGI

TITLE : LAYOUT AND DETAILS OF STAIRCASE & LIFT DETAIL

DEALT	CHECKED	DRG NO	DATE	SCALE	REVISED
SV	PSD	KSPSN/SD-04	04-08-21	NTS	

STRUCTURAL CONSULTANTS  
**DESHPANDE AND ASSOCIATES**  
 16, AG'S COLONY  
 HEBBAL,  
 BANGALORE - 560-024  
 E-mail: 2016aneesh2@gmail.com