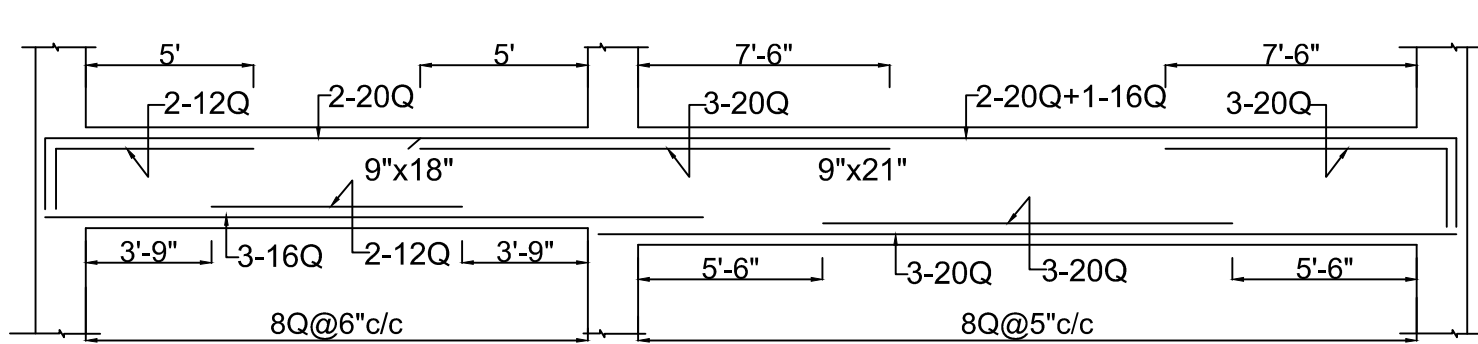
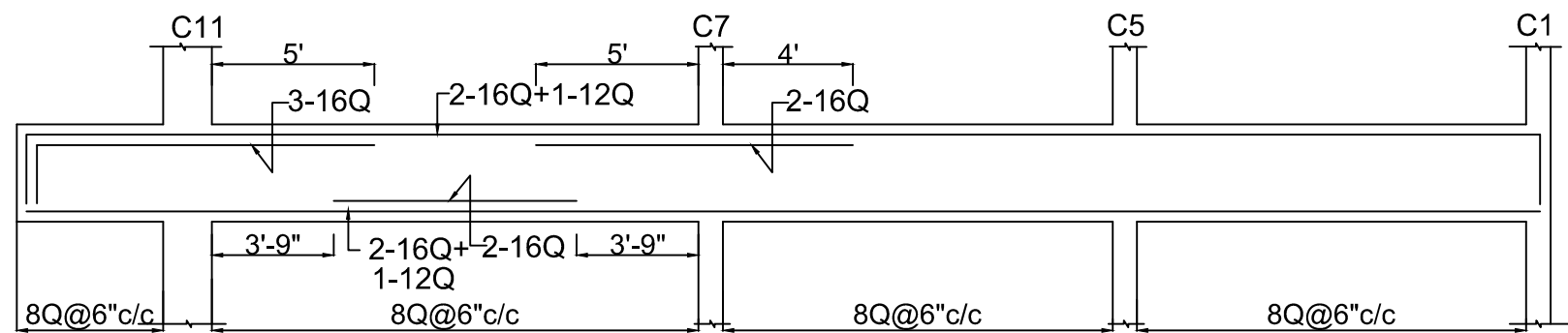


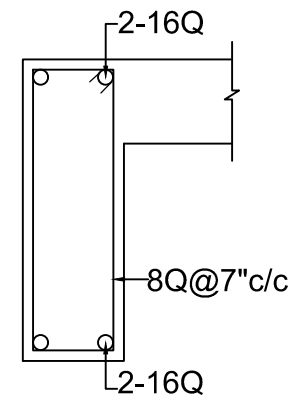
BEAM B1/B2/B3-9"x18"



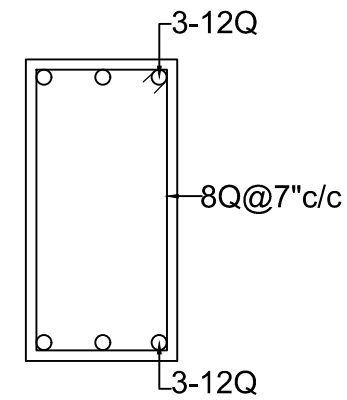
BEAM B8-9"x18"/9"x21"



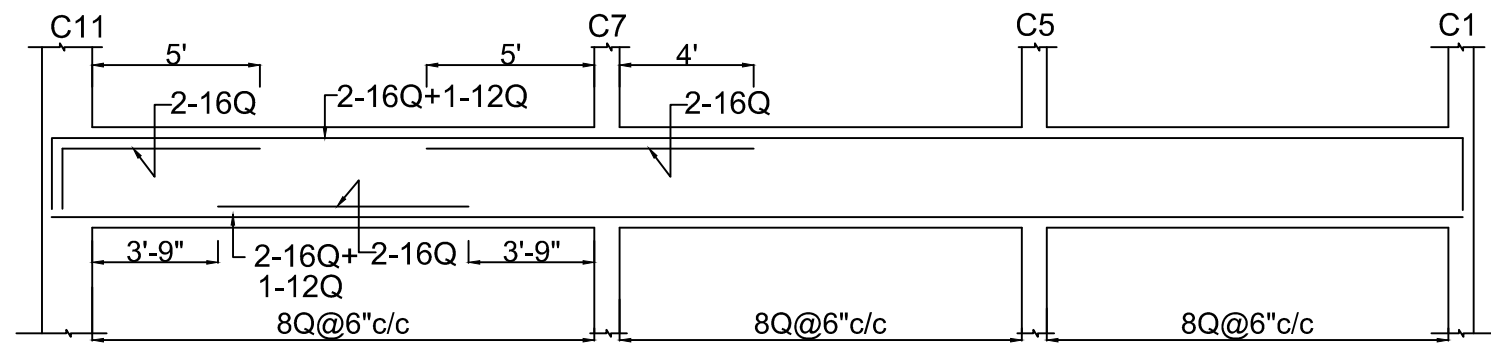
BEAM B6-9"x18"



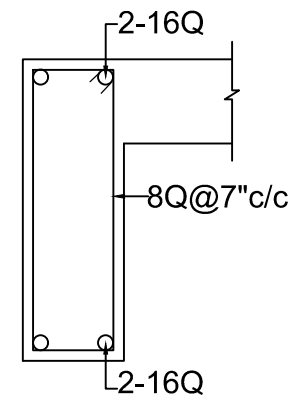
BEAM B4/B7 -6"x18"



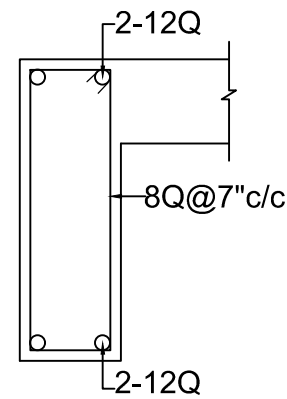
BEAM B7A -9"x18"



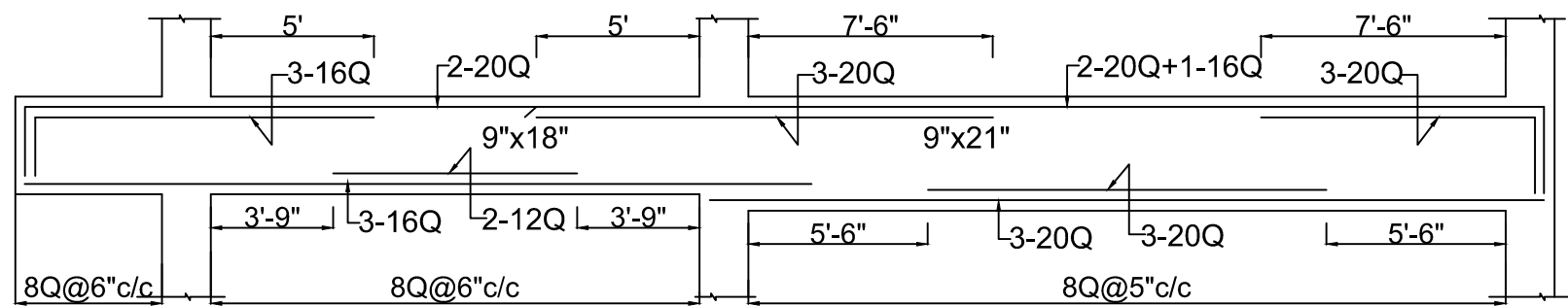
BEAM B6-9"x18"



BEAM B5A -6"x18"



BEAM PB -6"x18"



BEAM B8-9"x18"/9"x21"

NOTES

1. ALL DIMENSIONS IN FEET AND INCHES
2. DO NOT SCALE THE DRAWING
3. FOR CENTRE LINES REF ARCH DRG ONLY
4. Q DENOTES TOR STEEL
5. FOUNDATION DESIGNED FOR B+G+3 ONLY
6. CONCRETE MIX M25 FOR COLUMNS AND FOOTINGS
- 6a. STEEL Fe - 500
7. CLEAR COVER: FOOTINGS-2" ,COL 1.5", BEAMS 1", SLABS 3/4"
8. SHUTTERING AND CONCRETING IS THE RESPONSIBILITY OF CONTRACTOR
9. PLACEMENT OF BEAMS AS PER ARCH DRG
10. REF THIS DRG ALONG WITH ARCH DRG
11. FOUNDATION DESIGNED FOR SBC-20T/SQM,(ASSUME)

JOB : PROPOSED BUILDING PLAN OF KARNATAKA
SOUHARDA PATTINA SAHAKARI NIYAMITA REGIONAL OFFICE
@ KALABURAGI

TITLE : F.F. ROOF ROOF BEAM DETAIL

DEALT	CHECKED	DRG NO	DATE	SCALE	REVISED
SV	PSD	KSPSN/SD-10	05-08-21	NTS	

STRUCTURAL CONSULTANTS
DESHPANDE AND ASSOCIATES
16, AG'S COLONY
HEBBAL
BANGALORE - 560-024
E-mail: 2016aneesh2@gmail.com