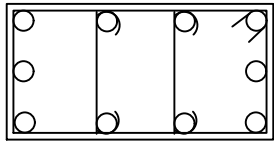
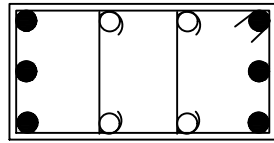
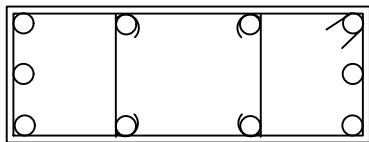
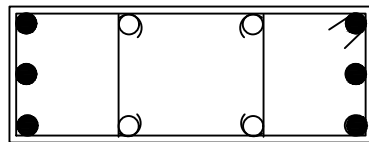
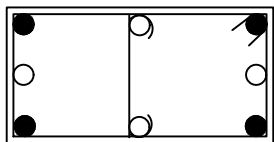
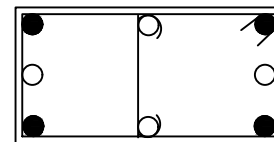
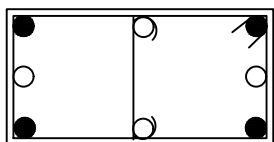
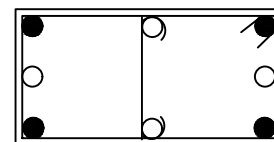


# COLUMN SCHEDULE

# CONCRETE MIX - M25

GROUND FLOOR				FIRST FLOOR		
COLUMN NOS	SECTION	SIZE	STEEL	SECTION	STEEL	STP LINKS
C1,4,11,14		9"x18"	○ 10-16Q		• 6-16Q + ○ 4-12Q	8Q@8"c/c
C2,3,8,9		9"x24"	○ 10-20Q		• 6-20Q + ○ 4-16Q	8Q@8"c/c
C5,6,7,10,12,13		9"x18"	• 4-20Q + ○ 4-16Q		• 4-20Q + ○ 4-16Q	8Q@8"c/c
C15,16		8"x18"	• 4-16Q + ○ 4-12Q		• 4-16Q + ○ 4-12Q	8Q@8"c/c

### NOTES

- ALL DIMENSIONS IN FEET AND INCHES
- DO NOT SCALE THE DRAWING
- FOR CENTRE LINES REF ARCH DRG ONLY
- Q DENOTES TOR STEEL
- FOUNDATION DESIGNED FOR B+G+3 ONLY
- CONCRETE MIX M25 FOR COLUMNS AND FOOTINGS  
6a. STEEL Fe - 500
- CLEAR COVER: FOOTINGS-2" ,COL 1.5",  
BEAMS 1", SLABS 3/4"
- SHUTTERING AND CONCRETING IS THE  
RESPONSIBILITY OF CONTRACTOR
- PLACEMENT OF BEAMS AS PER ARCH DRG
- REF THIS DRG ALONG WITH ARCH DRG
- FOUNDATION DESIGNED FOR SBC-20T/SQM,(ASSUME)

JOB : PROPOSED BUILDING PLAN OF KARNATAKA  
SOUHARDA PATTINA SAHAKARI NIYAMITA REGIONAL OFFICE  
@ KALABURAGI

TITLE : COLUMN SCHEDULE

DEALT	CHECKED	DRG NO	DATE	SCALE	REVISED
SV	PSD	KSPSN/SD-11	05-08-21	NTS	

STRUCTURAL CONSULTANTS  
DESHPANDE AND ASSOCIATES  
16, AG'S COLONY  
HEBBAL  
BANGALORE -560-024  
E-mail: 2016aneesh2@gmail.com