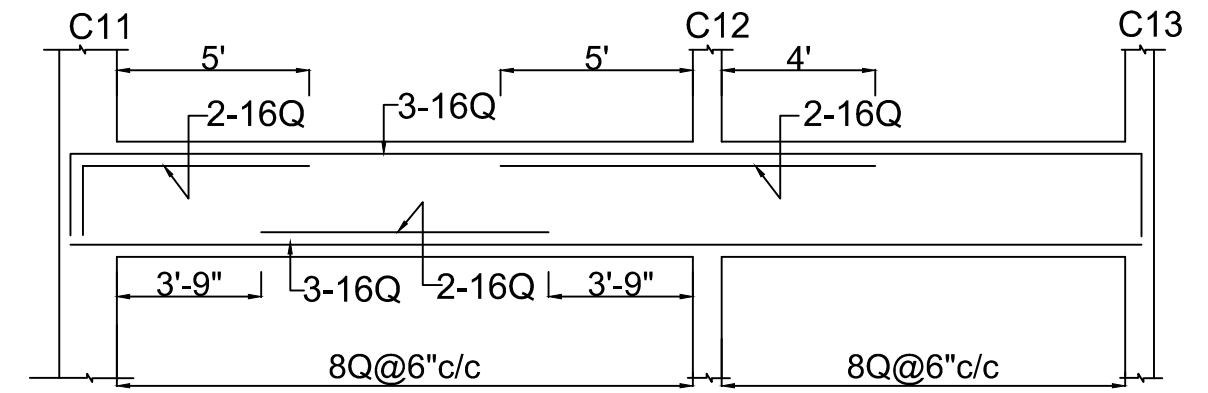
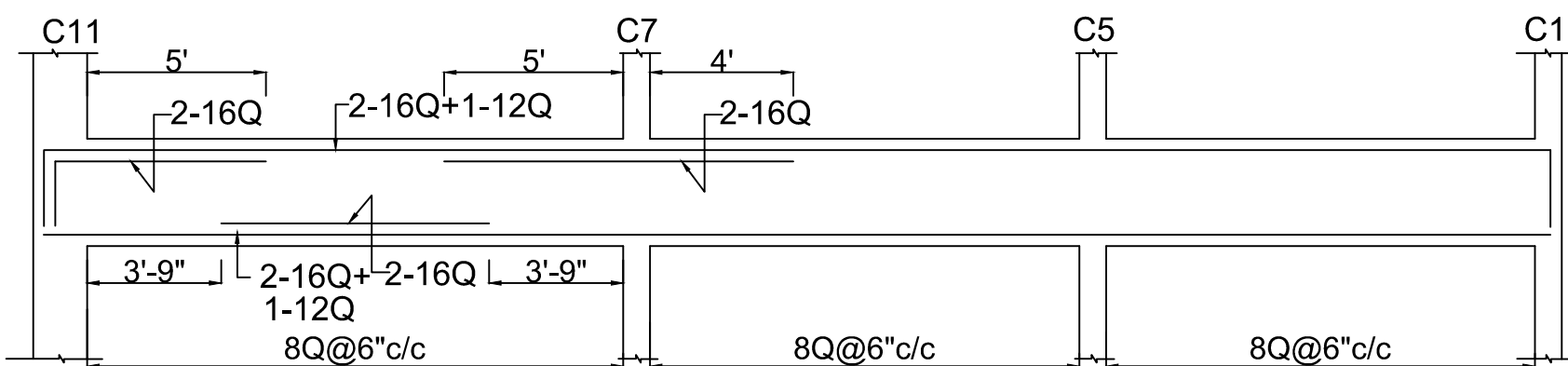


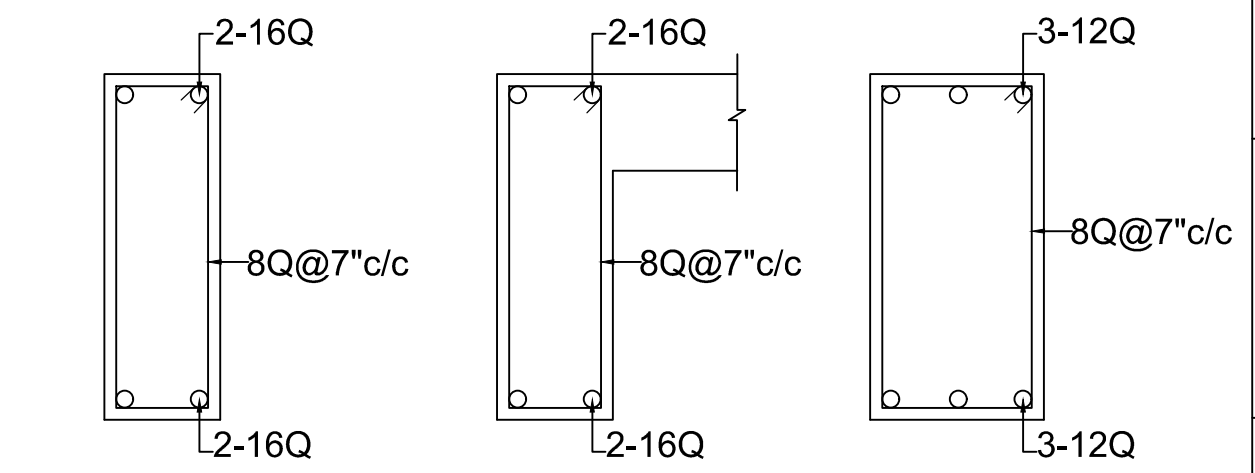
BEAM B1/B2/B3-9"x18"



BEAM B5-9"x18"



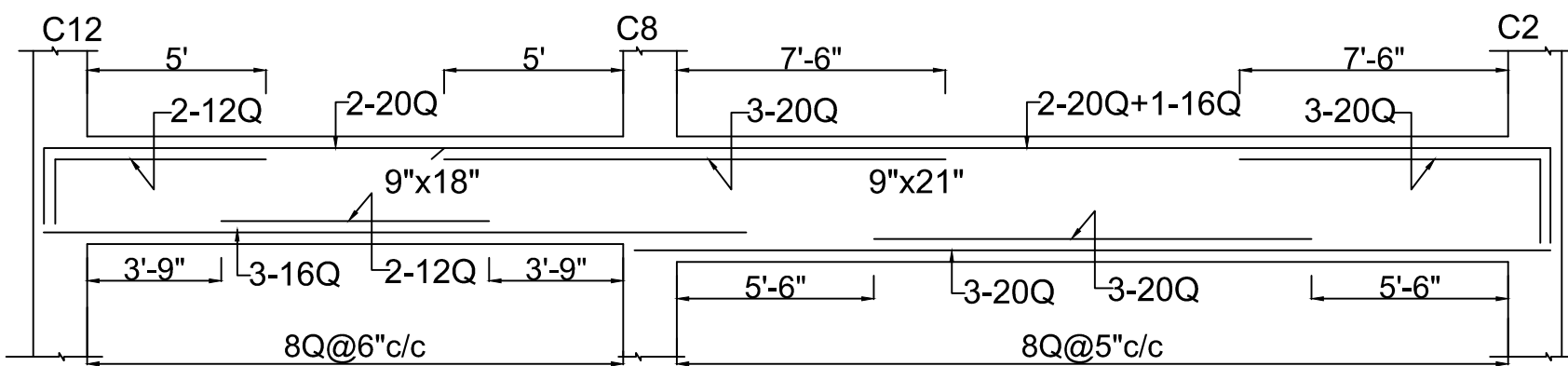
BEAM B6/B9-9"x18"



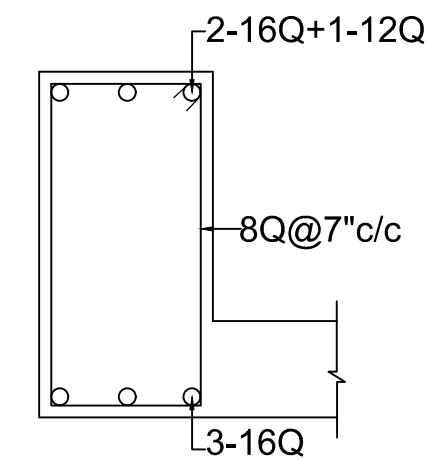
BEAM B4 -6"x18"

BEAM B7 -6"x18"

BEAM B7A -9"x18"



BEAM B8-9"x18"/9"x21"



**BEAM B4A -9"x18"
(INVERTED)**

- NOTES**
1. ALL DIMENSIONS IN FEET AND INCHES
 2. DO NOT SCALE THE DRAWING
 3. FOR CENTRE LINES REF ARCH DRG ONLY
 4. Q DENOTES TOR STEEL
 5. FOUNDATION DESIGNED FOR B+G+3 ONLY
 6. CONCRETE MIX M25 FOR COLUMNS AND FOOTINGS
 - 6a. STEEL Fe - 500
 7. CLEAR COVER: FOOTINGS-2", COL 1.5", BEAMS 1", SLABS 3/4"
 8. SHUTTERING AND CONCRETING IS THE RESPONSIBILITY OF CONTRACTOR
 9. PLACEMENT OF BEAMS AS PER ARCH DRG
 10. REF THIS DRG ALONG WITH ARCH DRG
 11. FOUNDATION DESIGNED FOR SBC-20T/SQM,(ASSUME)

JOB : PROPOSED BUILDING PLAN OF KARNATAKA
SOUHARDA PATTINA SAHAKARI NIYAMITA REGIONAL OFFICE
@ KALABURAGI

TITLE : BASEMENT ROOF BEAM DETAIL

DEALT	CHECKED	DRG NO	DATE	SCALE	REVISED
SV	PSD	KSPSN/SD-06	05-08-21	NTS	

STRUCTURAL CONSULTANTS
DESHPANDE AND ASSOCIATES
16, AG'S COLONY
HEBBAL
BANGALORE - 560-024
E-mail: 2016aneesh2@gmail.com